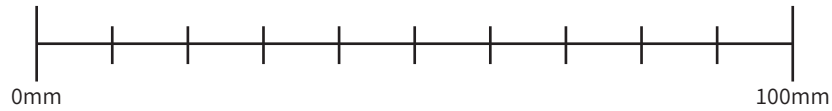


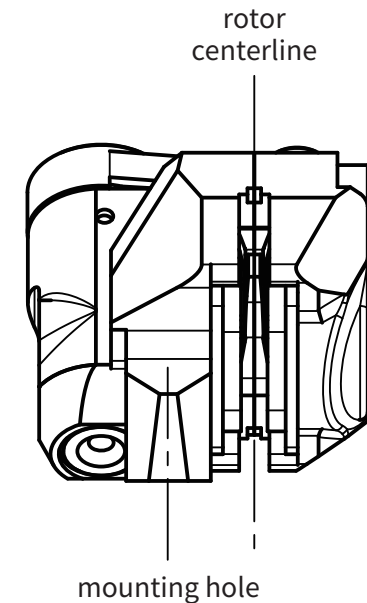
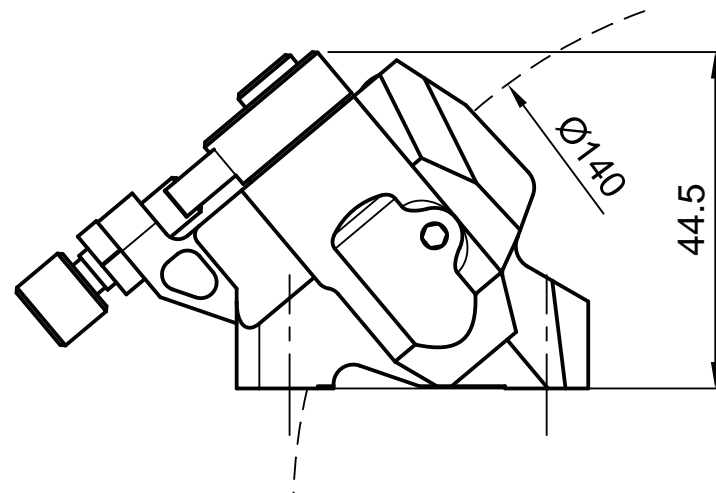
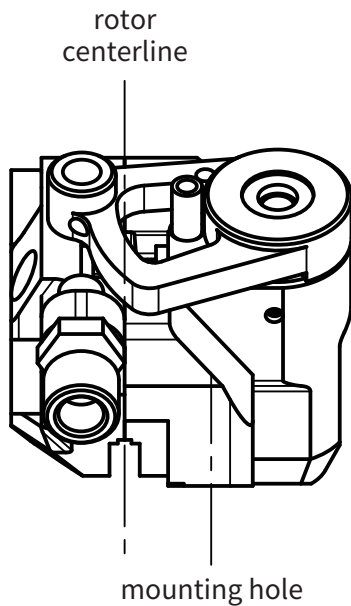
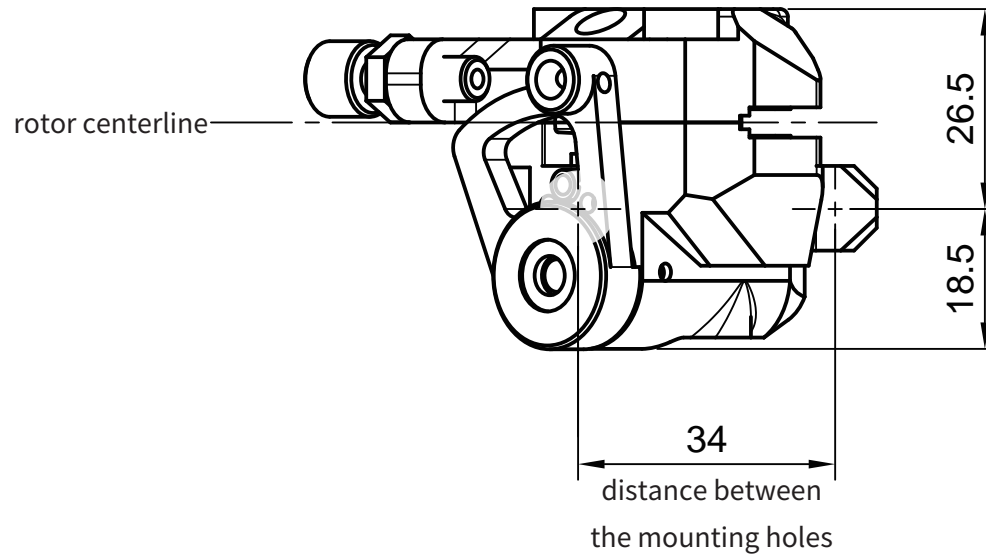
EQUAL Mechanical Disc Brake Caliper (Flat mount) Clearance Check Sheet (1/2)



[How to use]

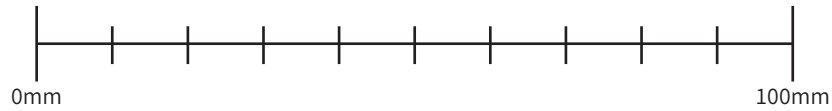
1. Please print on A4 size paper in landscape orientation without scaling.
You can check the scale by placing a ruler on the scale on the left.
2. Cut along the outline if necessary.
3. Place it on the frame with reference to the mounting holes or the centerline of the rotor.
Use it to check the clearance of the seat stays, etc.
All dimensions are in millimeters (mm).

Without adapter



EQUAL Mechanical Disc Brake Caliper (Flat mount)

Clearance Check Sheet (2/2)



[How to use]

1. Please print on A4 size paper in landscape orientation without scaling.
You can check the scale by placing a ruler on the scale on the left.
2. Cut along the outline if necessary.
3. Place it on the frame with reference to the mounting holes or the centerline of the rotor.
Use it to check the clearance of the seat stays, etc.
All dimensions are in millimeters (mm).

Flat mount rear
For $\phi 160$ mm rotors
With adapter
(Adapter not included)

